

4100 AND 4200 SERIES

TOGGLE SWITCHES - INSULATED LEVER AND BUSHING

Distinctive features and specifications

- No external metal parts
- Knee lever (toggle joint) quick-break mechanism
- Butt action contacts
- UL and CSA approved

ELECTRICAL SPECIFICATIONS

- Max. current/voltage rating with resistive load : 3A 250VAC - 6A 125VAC - 6A 30VDC
- Initial contact resistance : 10 mΩ max.
- Insulation resistance : 1.000 MΩ min. at 500VDC
- Dielectric strength :
 - 2.000 Vrms 50 Hz min. between terminals and between poles
 - 2.000 Vrms 50 Hz min. between terminals and frame
- Electrical life :
 - 50.000 cycles at 3A 250VAC
 - 10.000 cycles at 6A 125VAC and 30VDC

MATERIALS

- Case : phenolic resin
- Actuator : polyamide 6-6
- Bushing : polyamide 6-6
- Contacts : silver inlay

GENERAL SPECIFICATIONS

- Torque : 0,95 Nm (.70 Ft.lb) max. applied to nut
- Panel thickness : 5 mm (.196) between 2 nuts
- Operating temperature : -20°C to +55°C

AGENCY APPROVALS



Availability : consult factory for details of approved models.

Marking : To order switches marked UL and/or CSA, consult factory.

ABOUT THIS SERIES

Dimensions : first dimensions are in mm while inches are shown as bracketted numbers.



Mounting accessories : standard hardware supplied with all models : 1 hex nut U166 and 1 insulating knurled nut U520 in the same colour as the actuator. They are presented in section N.



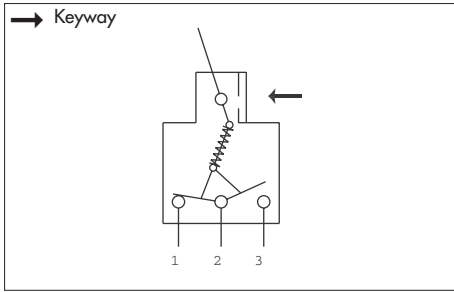
Packaging unit : 20 pieces.

4100 AND 4200 SERIES

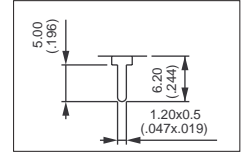
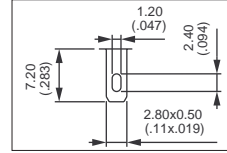
TOGGLE SWITCHES - INSULATED LEVER AND BUSHING

Solder lug or straight PC terminals

MODEL
STRUCTURE



- 2 maintained positions
- Silver inlay contacts standard
- Double pole configurations



MODEL
STRUCTURE



Solder lug terminals : 4100



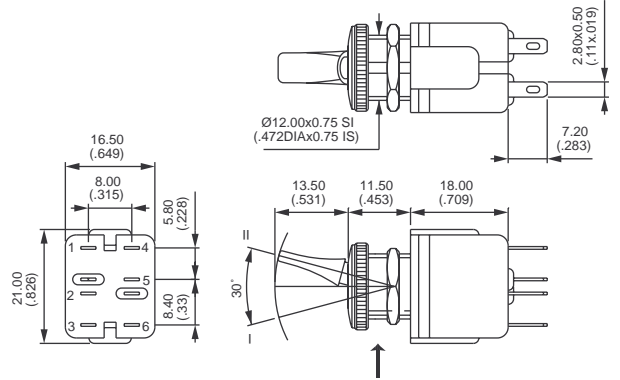
4141A-2

II I
ON - OFF

4146A-2

ON - ON

→ Keyway



Straight PC terminals : 4200



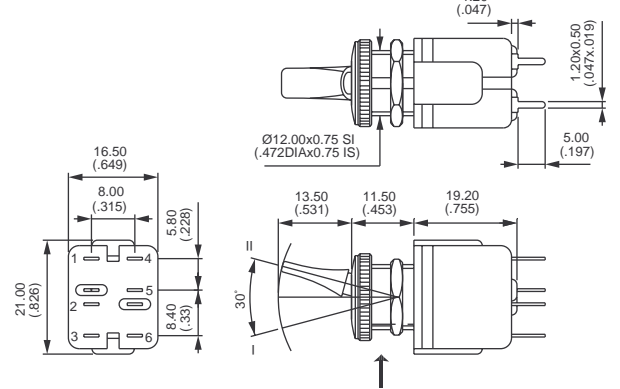
4241A-2

II I
ON - OFF

4246A-2

ON - ON

→ Keyway



ACTUATOR COLOURS

1	Blue	
2	Black	
3	Green	
4	Grey	
5	Yellow	
6	Red	
7/1	White	
9	Orange	

PANEL CUT-OUT

